

RF Transmitter/Receiver System

Long Range Tags for Vehicle/Gate Access



- Ideal for gated communities, private residences, fleet access, etc.
- Read range adjustable up to 500' (150m)
- 4 buttons to handle multiple gates in close proximity to each other
- Can also be used for individual residences within gated community with RLB-568 Receiver
- Compatible with Keri's PXL-250W and PXL-500W Tiger Controllers
- Option for Keri proximity insert in transmitter for combination Prox + RF Transmitter

Keri's new line of RF Transmitters and Receivers can be used with the PXL-250W and PXL-500W family of Tiger Controllers, or any other manufacturers' access controllers that are 26 bit Wiegand-compatible. The RLT-1 (1 button) and RLT-4 (4 button) Transmitters, usually attached to a key ring, provide up to 500'/150m of transmit range to the RPB-500 RF Receiver. The RLT-4 has 4 buttons so that it can be programmed for a different receiver in the event that more than one gate is located within the transmitter's range.

The most popular application is for gated residential communities, where residents and employees can use the transmitter buttons to access the gates as they approach. By using the RLB-568 Receiver, residents can also use the same transmitter as their own personal garage door opener. If the RLT-1KT or RLT-4KT Transmitter with Proximity Insert is utilized, users can access other secure areas and buildings within the facility by using proximity readers tied to the same system as the gates. Other applications include gated single-family homes, access control for vehicle fleets, and convenient disabled access.



1530 Old Oakland Road, Suite 100
San Jose, CA 95112 USA
(800) 260-5265 • (408) 451-2520 • Fax (408) 441-0309
e-mail: sales@kerisys.com web: www.kerisys.com

RF Transmitter/Receiver System

Long Range Tags for Vehicle/Gate Access

Specifications

Tag

Dimensions

1.25"W x 2.25"H x 0.5"D
(38.1 x 57.2 x 12.7mm)

Power

(2) 3V 2016 style batteries

Frequency

318 MHz

Operating Temperature

-40° C to +65°C

Models

RLT-1 (1 Button Transmitter)

RLT-1KT (with proximity insert)

RLT-4 (4 Button Transmitter)

RLT-4KT (with proximity insert)

Accessories

Quick Disconnect Key Ring (supplied)

Receiver

Power

+5 VDC, or +6-24 VDC @ 25mA

Output

26 bit Wiegand

Frequency

318 MHz

Bandwidth

300 KHz (minimum)

Enclosure

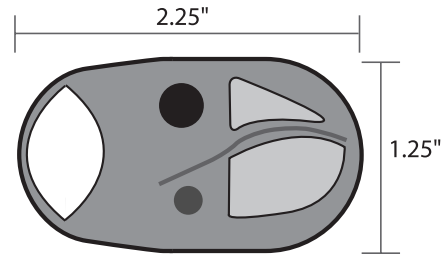
Weather resistant, anodized aluminum

Operating Temperature

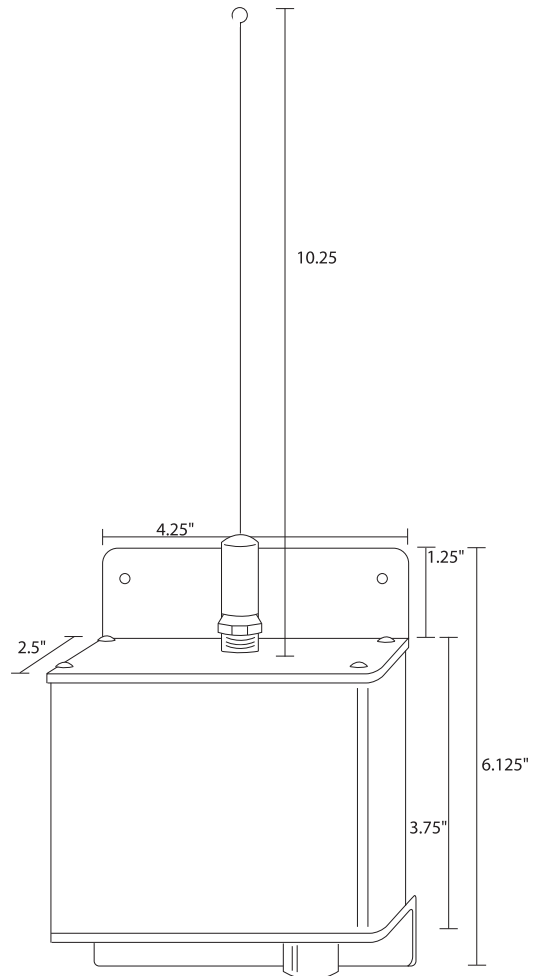
-22 F to +155F

(-30 C to +70 C)

Tag



Receiver



Specifications subject to change without notice.
Trademarks are the property of their respective owners.

* Specifications subject to change without notice.

Presented By:

