

EA ROTARY

The EA Rotary is one of the most popular tripod turnstiles due to its small footprint requirement and yet offering maximum efficiency. With its fast responsive motor and quick operation, it will eliminate crowding at an entrance. Drop arm function efficiently enables free passage in case of emergency. Brushed or polished stainless steel finishing will suit any interior and a RAL powder coated version is also available. The enclosure design is suitable for outdoor installation without an additional canopy. As with other turnstiles from our tripod series, the EA Rotary is available with an optional back-up battery should there be a power outage.

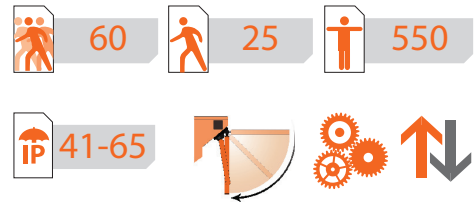
EA Rotary Twin is also available with double sided tripods. When power goes OFF both directions are free.

Controlled by:  Access control system  Push button



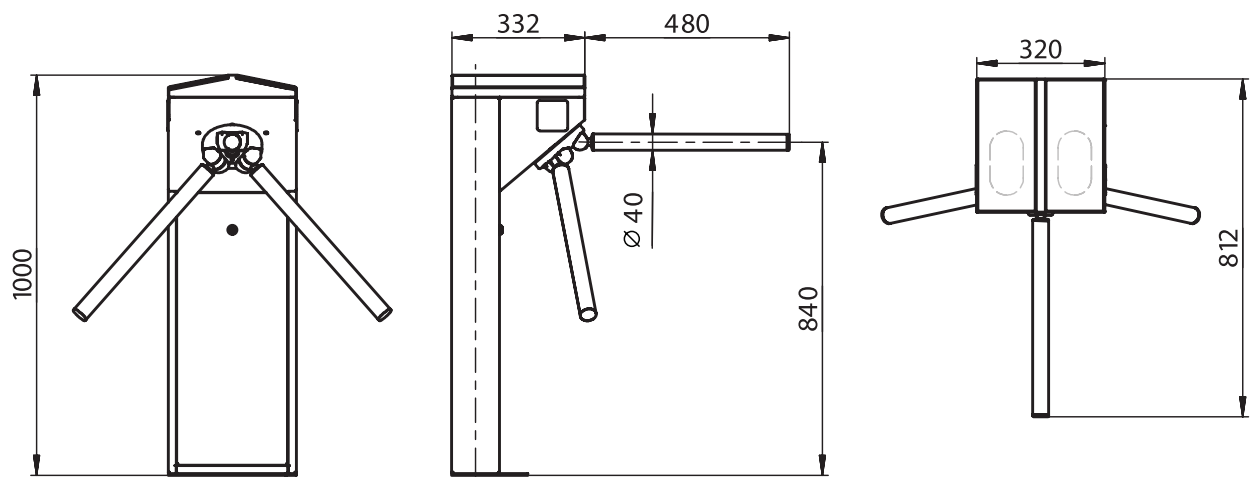
TECHNICAL SPECS:

| | |
|-----------------------|--|
| Width, mm | 800 |
| Length, mm | 812 |
| Height, mm | 1000 |
| Weight, kg (not more) | 40 |
| Mechanism | Motorized |
| Standard housing | Brushed SS AISI 304 |
| Available housing | Brushed SS AISI 316 Polished SS AISI 304 Polished SS AISI 316 Powder coated RAL |



ELECTRICAL SPECS:

- Voltage:
 - from the AC (100-240)V, 50/60Hz;
 - from a DC source 12 V.
- Maximum power consumption 55 W per pass.



EA Group (UK) Limited, Units 20-21, Bookham Industrial Park, Church Road, Bookham, Surrey, KT23 3EU
Telephone: 01372 459536 Fax: 01372 454778 Website: www.ea-group.co.uk

PART OF THE ELECTRO AUTOMATION GROUP OF COMPANIES

REGISTERED IN ENGLAND NO. 3094251 VAT NO. 664124937

