

EA TRIPOD PLUS



Initially the EA Tripod Plus was designed as a hybrid of the EA Tripod & EA Rotary turnstiles. As with the EA Tripod turnstile, the EA Tripod Plus has access control reader mounting brackets under the top cover. The Tripod Plus also features LED indicators on both the side and top of the cabinet housing. A choice of housing finishes enables the turnstile to blend well into the different environments it is installed, both indoors and outdoors. A drop arm function is available, as to is an optional back-up battery connection should there be a power outage.

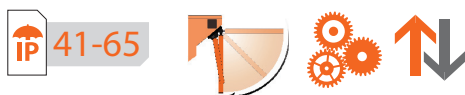
Bastion Twin is also available with double sided tripods.

When power goes OFF both directions are free.

Controlled by:  Access control system  Push button

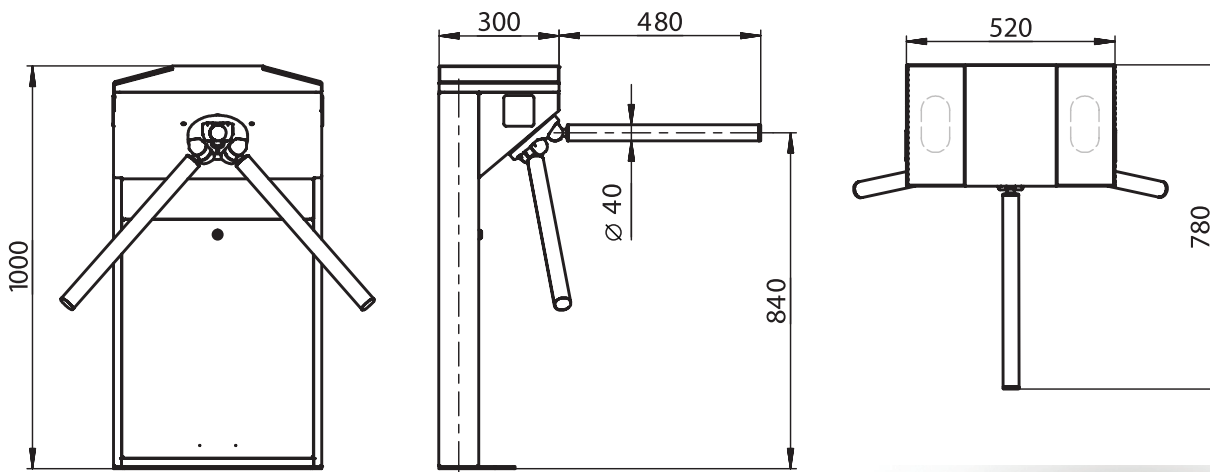
TECHNICAL SPECS:

Width, mm	780
Length, mm	750
Height, mm	1000
Weight, kg (not more)	40
Mechanism	Motorized
Standard housing	Brushed AISI 304
Available housing	Brushed SS AISI 316 Polished SS AISI 304 Polished SS AISI 316 Powder coated RAL



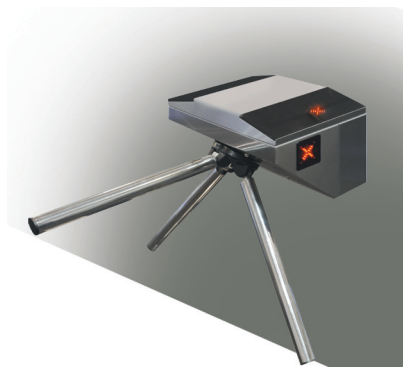
ELECTRICAL SPECS:

- Voltage:
 - from the AC (100-240)V, 50/60Hz;
 - from a DC source 12 V.
- Maximum power consumption 55 W per pass.



EA WALL MOUNT

The EA Wall Mount turnstile was designed and developed for projects which require wall-mounting installations. The EA Wall Mount turnstile provides same functionality as other turnstiles from our tripod series: "drop arm" function, access control reader mounting brackets under the top cover and an optional battery backup. Housing finishes are offered in: brushed stainless steel, polished stainless steel, or RAL powder coated. This turnstile interfaces with all types of access control or can be controlled via a push button. Applicable for both indoor and outdoor installation.



EA Group (UK) Limited, Units 20-21, Bookham Industrial Park, Church Road, Bookham, Surrey, KT23 3EU
Telephone: 01372 459536 Fax: 01372 454778 Website: www.ea-group.co.uk

PART OF THE ELECTRO AUTOMATION GROUP OF COMPANIES REGISTERED IN ENGLAND NO. 3094251 VAT NO. 664124937

